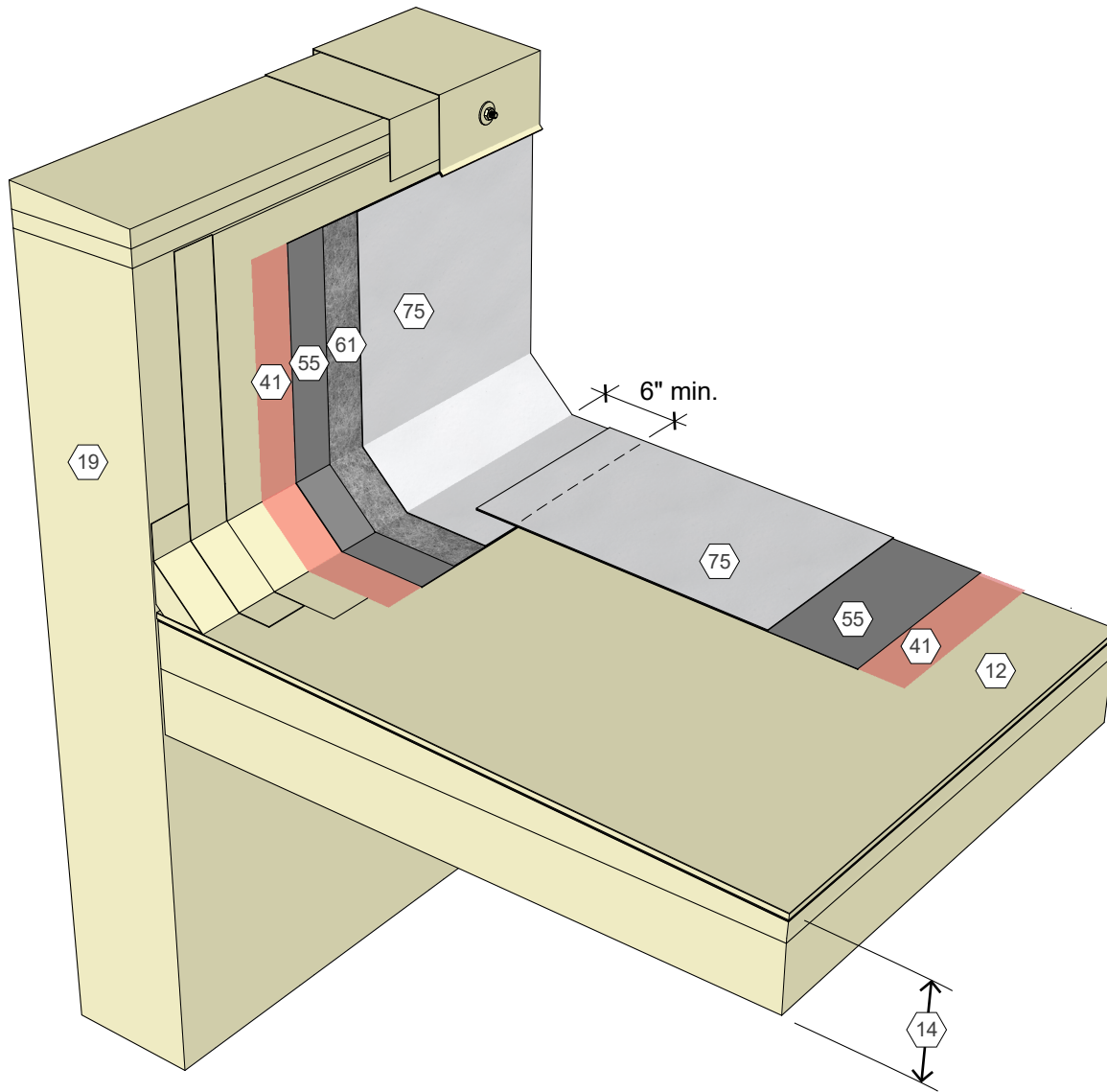


KEY NOTES

- ① Existing Single-Ply Membrane
- ② Existing Structural Deck and Insulation Assembly
- ③ Existing Wall Assembly
- ④ Approved Primer
- ⑤ Geogard Base Coat
- ⑥ AlphaGuard Glass Mat or Permafab
- ⑦ Geogard Finish Coat

Geogard® Restoration Detail, Single-Ply, Coping Cap
 Detail 17011



KEY NOTES

- ⑫ Existing MB or Smooth BUR
- ⑭ Existing Structural Deck and Insulation Assembly
- ⑰ Existing Wall Assembly
- ④① Approved Primer
- ⑤⑤ Geogard Base Coat
- ⑥① AlphaGuard Glass Mat or Permafab
- ⑦⑤ Geogard Finish Coat

Geogard® Restoration Detail, MB or Smooth BUR, Coping Cap
 Detail 17012